

AXC TP

expella™

High performance inline fans

2AX5148A | 2AX5149A | 2AX6185A | 2AX6186A

The AXC TP fan is designed for inline (ducted) installation and is one of the most powerful low-energy fans on the market. It suits multi-room domestic applications – up to 3 bathrooms with the largest fan. This fan operates quietly and is double insulated for electrical safety. It also comes with a 2-pin plug and lead making installation easier.



Manufacturer:



Warranty:

2 years (Extended warranty may apply)

Applications and Installation:

- To be used in conjunction with internal grilles and ducting (not included)
- Works with long ducting lengths (up to 20m)*
- Suitable for single or multiple room applications where high-performance is required including:
 - Bathrooms and laundries
 - Kitchens and rangehoods
 - Sub-floor
 - Supply air systems
- It is recommended that this product be installed by an industry professional (electrician or air-conditioning installer)

*Correctly sized ducting

Features and Benefits:

- Ideal solution for centralised / multi-point ventilation systems
- Can be used with long lengths of rigid or flexible ducting
- Low wattage motors
- Variable speed control
- Manufactured in shock proof high quality technopolymer, flame retarding V2
- Backward curved blades to ensure quiet operation and develop ample static pressure
- Ball bearing motor, permanently lubricated for maintenance free operation and continuous running
- Available in four sizes
- European made (Italy)

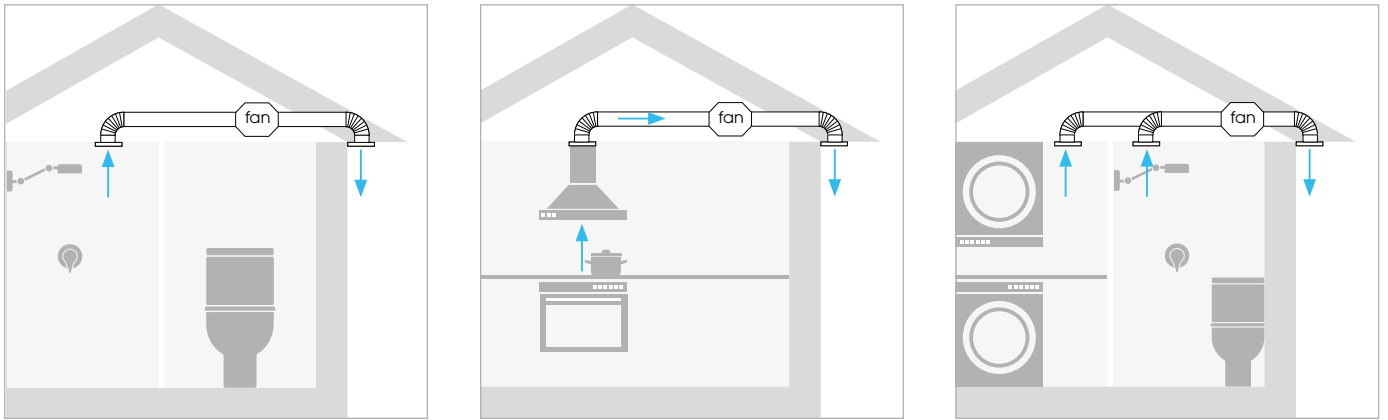
Options:

- Built in timer version available

AXC TP

High performance inline fans

Applications:



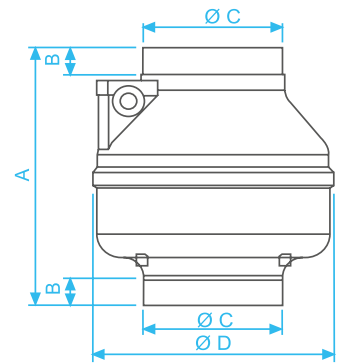
Specifications:

Model	Item Code	Volume m ³ /h (maximum)	Volume L/s (maximum)	Pressure (maximum)	Wattage	Noise dB(A)*	RPM
AXC 100 TP	2AX5148A	230	63	279	33	36.1	2700
AXC 125 TP	2AX5149A	275	76	250	33	37.1	2680
AXC 150 TP	2AX6185A	390	108	238	60	38.1	2500
AXC 160 TP	2AX6186A	420	117	345	70	39.1	2480

* Measured at 3 metres

Dimensions:

Model	A	B	ØC	ØD	Kg
AXC 100 TP	238	25	98	212	1.5
AXC 125 TP	238	25	123	212	1.5
AXC 150 TP	232	28	147	254	2.0
AXC 160 TP	232	28	157	253	2.0



Performance:

