

Elegance

expella™

Wall / ceiling fan

2EL0000 | 2EL0001 | 2EL0003 | 2EL2500 | 2EL2501
2EL2503 | 2EL5000 | 2EL5001 | 2EL5003

Elegance fans can be wall or ceiling mounted and are highly efficient in exhausting air from small and medium size rooms in domestic and commercial applications. Designed and made in Italy this fan is quiet to run and has a streamlined, minimal and discreet design with its slimline flat cover.



Manufacturer:



Warranty:

2 years

Applications and Installation:

- Wall or ceiling mounted, use in conjunction with an external grille and may be used with rigid or flexible ducting (not included)
- Works with short ducting lengths (up to 3m)
- Suitable for domestic or commercial single room applications including:
 - Bathrooms and powder rooms
 - Laundries
 - Portable buildings and classrooms
 - Small offices and meeting rooms
 - Utility rooms
- Installation by an industry professional (electrician or air-conditioning installer) is recommended

Features and Benefits:

- Innovative European slim line design with flat cover and lateral intake
- Easy to install
- Supplied with back-draught shutters to prevent air from moving back into the room
- Quiet operation
- Maintenance free – self lubricating sleeve bearing motor for long life and noiseless operation
- Made of high quality antistatic techno-polymer material
- Comes in 3 sizes moving 90 – 315m³ of air per hour
- European made

Options:

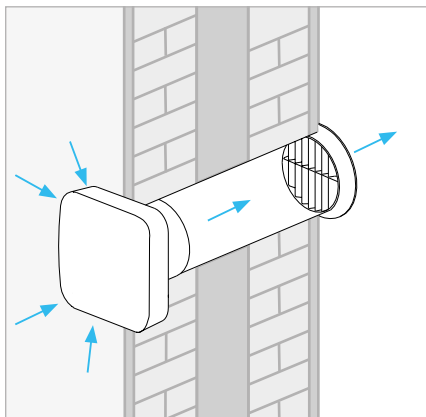
The Elegance fan has the following options

- MHY – built in humidity sensor that automatically increases or decreases the fan speed according to the relative humidity level
- T – built in run-on timer that can be adjusted to allow the fan to continue running for between 3 and 25 minutes

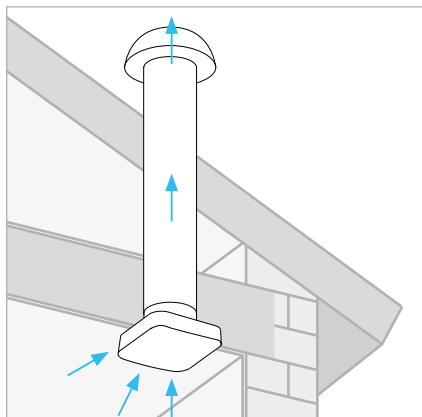
Elegance

Wall /ceiling fan

Applications:



Wall



Ceiling

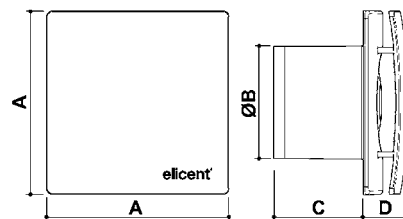
Specifications:

Model	Item Code	Volume m ³ /h (maximum)	Volume L/s (maximum)	Pressure (maximum)	Wattage	Noise dB(A) *	Protection
Elegance 100	2EL0000	90	25	42	14	31.4	IPX4
Elegance 120	2EL2500	165	46	55	15	36.7	IPX4
Elegance 150	2EL5000	315	87	71	25	43.9	IPX4
Elegance 100 MHY	2EL0003	90	25	42	14	31.4	IPX4
Elegance 120 MHY	2EL2503	165	46	55	15	36.7	IPX4
Elegance 150 MHY	2EL5003	315	87	71	25	43.9	IPX4
Elegance 100 T	2EL0001	90	25	42	14	31.4	IPX4
Elegance 120 T	2EL2501	165	46	55	15	36.7	IPX4
Elegance 150 T	2EL5001	315	87	71	25	43.9	IPX4

* Measured at 3 metres

Dimensions:

Model	A	ØB	C	D	Kg
Elegance 100	160	98	80	38	0.9
Elegance 120	180	119	91	44	1.1
Elegance 150	200	149	105	56	1.3



Performance:

