

# EMF (Timer)

expella™

## High performance inline fans

1EMF100T | 1EMF125T | 1EMF150T | 1EMF200T

The EMF range of inline fans offer a quiet, powerful and compact solution for a variety of domestic and commercial applications. This fan has a built-in run on timer which allows the fan to continue running for a set time after the switch is turned off.



### Manufacturer:

expella™

### Warranty:

2 years

### Features and Benefits:

- Built in run-on timer (ROT) pre-set to 15 minutes. ROT is factory adjustable from 3 – 30 minutes upon request.
- Compact
- 2 speed motor with external high/low speed switch
- Low wattage motor saves energy
- Manufactured in flame retarding PP
- Quiet operation – from 26 dBA (EMF100T low speed)
- Available in 4 sizes
- Unique easy fix mounting system

### Applications and Installation:

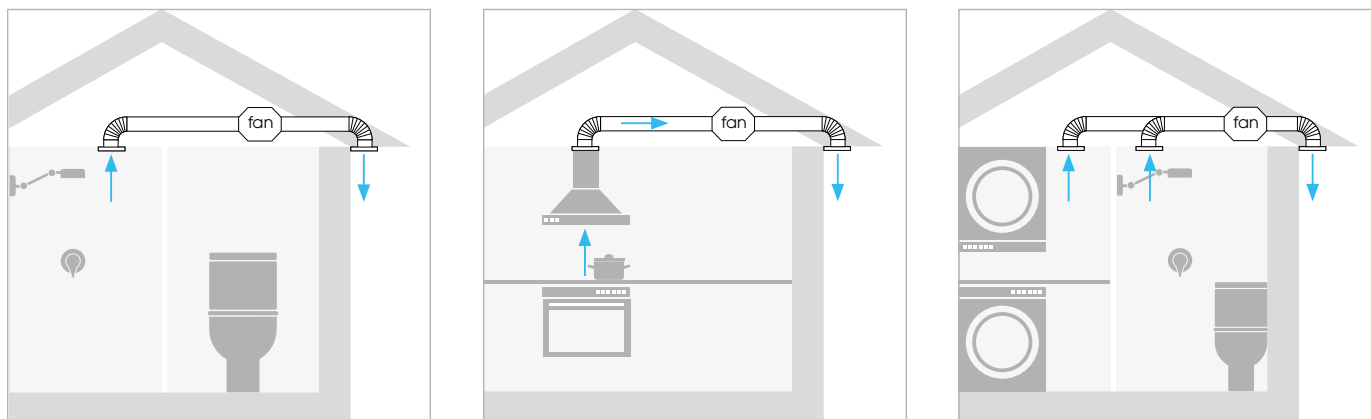
- To be used in conjunction with internal grilles and ducting (not included)
- Suitable for long ducting lengths (up to 20m)\*
- Suitable for multiple room applications including:
  - Bathrooms
  - Laundries
  - Kitchens and rangehoods
  - Garbage exhaust
  - Supply air systems
- Can be installed by a home handyman or industry professional (electrician or air conditioning installer)

\* Correctly sized ducting

# EMF (Timer)

## High performance inline fans

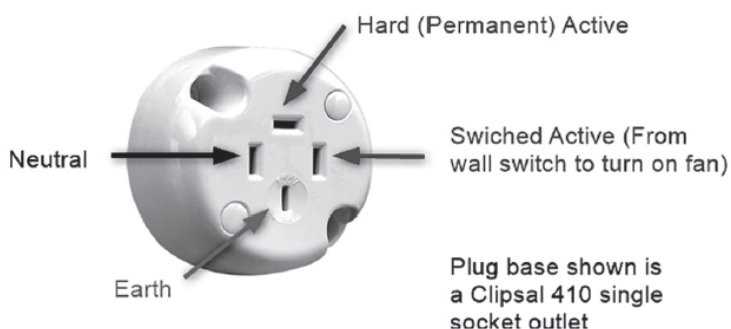
### Applications:



### Specifications:

Model	Item Code	Duct size (mm)	Volts	Wattage	Volume m <sup>3</sup> /h	Volume L/s	Pressure (maximum)	Noise dB(A) *	Weight (kg)
EMF 100T	1EMF100T	100	240	26	198	55	156	31	1.5
				23	165	45	131	26	
EMF 125T	1EMF125T	125	240	33	284	79	159	31	1.5
				28	248	69	106	26	
EMF 150T	1EMF150T	150	240	54	530	147	300	33	2.6
				44	410	113	240	29	
EMF 200T	1EMF200T	200	240	128	840	233	352	63	4.9
				123	690	192	274	55	

\*Measured at 3 metres



### Electrical specifications

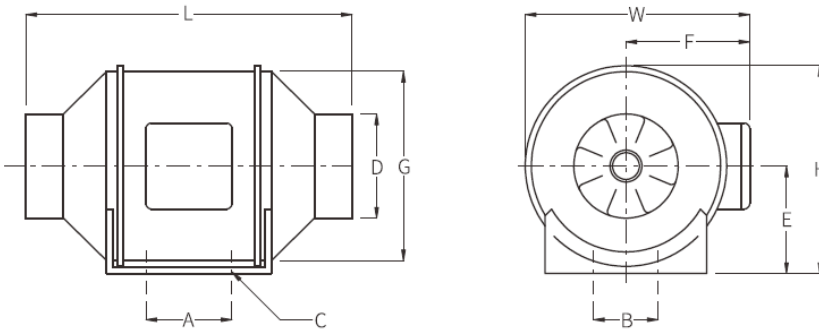
The fan is supplied with a 4 pin mains power cord. The additional terminal is for a permanent active to power to the timer circuit. A qualified electrician needs to install a Clipsal 410 4 pin plug base in the ceiling space within 0.8 meters of the fan's installed location

# EMF (Timer)

## High performance inline fans

### Dimensions:

Model	A	B	C	ØD	E	F	G	L	W	H
EMF 100T	80	60	4	97	99	116	163	302	204	195
EMF 125T	80	60	4	123	99	116	163	257	204	195
EMF 150T	80	60	4	147	109	127	187	313	227	208
EMF 200T	100	94	4	197	125	137	205	302	249	237



### Performance:

