

High performance inline fans

1EMF100 | 1EMF125 | 1EMF150 | 1EMF200 | 1EMF250 | 1EMF315

The EMF range of inline fans offer a quiet, powerful and compact solution for a variety of domestic and commercial applications. The EMF has a unique easy fix mounting system which simplifies on-site installation, saving time and money.



Manufacturer:

expella™

Warranty:

2 years

Features and Benefits:

- Compact
- 2 speed motor with external high/low speed switch
- Low wattage motor saves energy
- Manufactured in flame retarding PP
- Quiet operation – from 26 dBA (EMF100 low speed)
- Available in 6 sizes
- Unique easy fix mounting system

Applications and Installation:

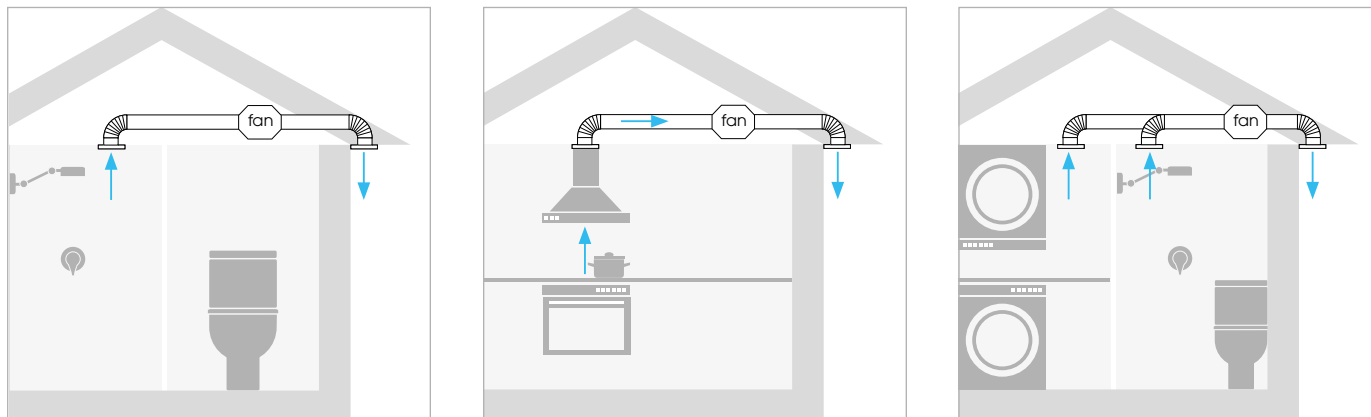
- To be used in conjunction with internal grilles and ducting (not included)
- Suitable for long ducting lengths (up to 20m)*
- Suitable for single or multiple rooms
- Suitable for multiple room applications including:
 - Bathrooms
 - Laundries
 - Kitchens and rangehoods
 - Garbage exhaust
 - Supply air systems
- Can be installed by a home handyman or industry professional (electrician or air conditioning installer)

* Correctly sized ducting

EMF

High performance inline fans

Applications:



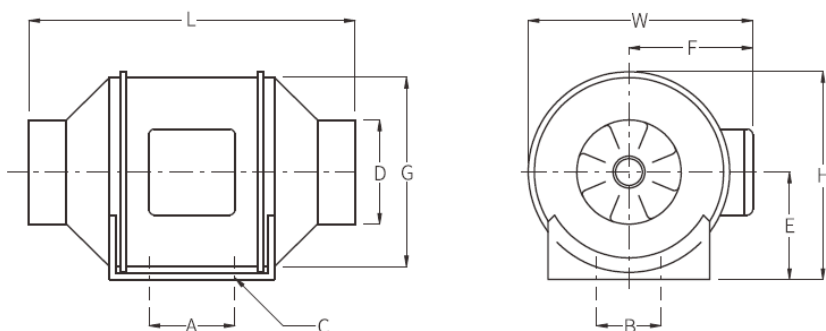
Specifications:

Model	Item Code	Duct size (mm)	Volts	Wattage	Volume m ³ /h	Volume L/s	Pressure (maximum)	Noise dB(A)*	Weight (kg)
EMF 100	1EMF100	100	240	26	198	55	156	31	1.5
				23	165	45	131	26	
EMF 125	1EMF125	125	240	33	284	79	159	31	1.5
				28	248	69	106	26	
EMF 150	1EMF150	150	240	54	530	147	300	33	2.6
				44	410	113	240	29	
EMF 200	1EMF200	200	240	128	840	233	352	63	4.9
				123	690	192	274	55	
EMF 250	1EMF250	250	240	225	1405	390	488	66	7.5
				165	1064	295	371	58	
EMF 315	1EMF315	315	240	412	2206	612	693	69	11
				306	1750	486	435	61	

*Measured at 3 metres

Dimensions:

Model	A	B	C	ØD	E	F	G	L	W	H
EMF 100	80	60	4	97	99	116	163	302	204	195
EMF 125	80	60	4	123	99	116	163	257	204	195
EMF 150	80	60	4	147	109	127	187	313	227	208
EMF 200	100	94	4	197	125	137	205	302	249	237
EMF 250	150	150	4	246	150	174	261	383	310	286
EMF 315	181	178	4	315	187	216	325	446	286	357



expella™

EMF

High performance inline fans

Performance:

