

## Inline axial fans

2TU1001 | 2TU1201 | 2TU1506 | 2TU1011  
2TU1020 | 2TU1501 | 2TU1509

The Tubo fan is designed for inline (ducted) installation. It is affordable, compact and quiet. These fans are ideal for moving small to medium air volumes for single room applications including toilets, bathrooms, portable buildings, class rooms, offices, utility rooms heat transfer kits and subfloor ventilation.



---

### Manufacturer:



---

### Warranty:

2 years

---

### Applications and Installation:

- To be used in conjunction with internal grilles, and ducting (not included)
- May be mounted in either the wall or ceiling space
- Suitable for single room applications including:
  - Bathrooms and powder rooms
  - Portable buildings and classrooms
  - Utility rooms
  - Heat transfer
  - Sub-floor ventilation
- Works with short ducting lengths (up to 3m)
- It is recommended that this product be installed by an industry professional (electrician or air-conditioning installer)

---

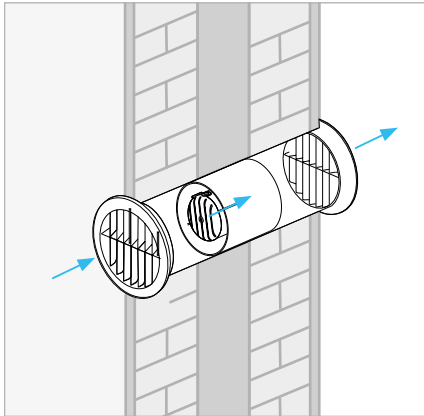
### Features and Benefits:

- Low wattage motors
- Easy to install
- Can be used with rigid or flexible ducting
- Compact
- Quiet operation
- Ideal solution for heat transfer systems
- Comes in metal or technopolymer

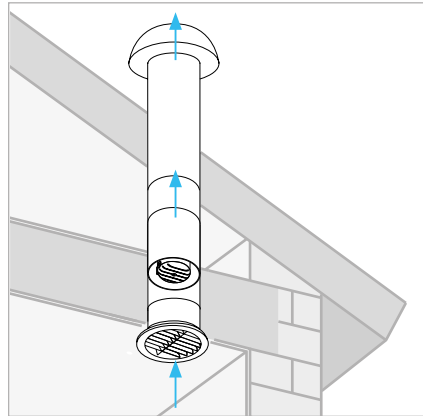
# Tubo

## Inline axial fans

### Applications:



Wall



Ceiling

### Specifications:

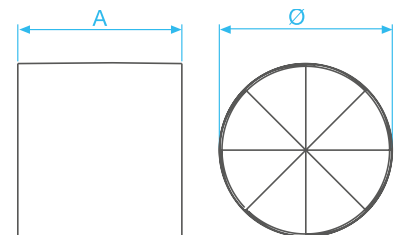
Model	Item Code	Volume m <sup>3</sup> /h (maximum)	Volume L/s (maximum)	Pressure (maximum)	Wattage	Noise dB(A) *	Protection
TUBO 100 Metal	2TU1001	80	22	27	14	38	IXP2
TUBO 120 Metal	2TU1201	150	42	35	18	44	IXP2
TUBO 150 Metal	2TU1506	300	83	75	50	51	IXP2
TUBO 100 TP	2TU1011	90	25	25	14	38	IXP2
TUBO 120 TP	2TU1020	180	50	36	18	44	IXP2
TUBO 150 TP	2TU1501	320	89	69	40	51	IXP2
TUBO 150 TP (Ball bearing)	2TU1509	320	89	69	40	51	IXP2

TP – Technopolymer

\* Measured at 3 metres

### Dimensions:

Model	A	B Ø	Kg
TUBO 100 Metal	100	100	0.6
TUBO 120 Metal	100	119	0.8
TUBO 150 Metal	125	150	1.2
TUBO 100 TP	92	97	0.4
TUBO 120 TP	97	119	0.6
TUBO 150 TP	125	151	0.8



### Performance:

