

Slimline Diffuser

Low profile ceiling diffuser

1PSD150

expella™

Expella has developed a unique low profile ceiling diffuser to improve function and aesthetics in the bathroom. It incorporates quick fit clips and an integrated non-return volume control damper to simplify installation and ultimately reduce installation costs.



Manufacturer:

expella™

Warranty:

5 years

Applications and Installation:

- Suitable for supply air and exhaust air applications
- Quick fit – snap in clips to ensure fast and simple installation.

Benefits:

- Low profile
- Australian designed
- Quiet operation
- Easy to install to reduce installation costs
- Integrated non-return and volume control damper
- Easy to clean and maintain
- Eliminates need for access panel*

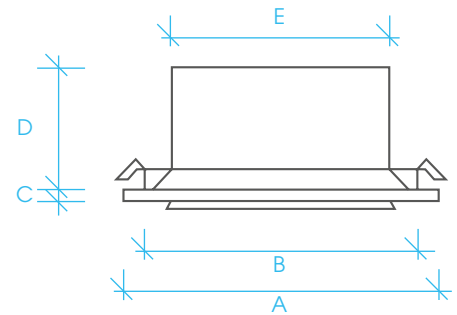
* Depending on design and location of fan

Slimline Diffuser

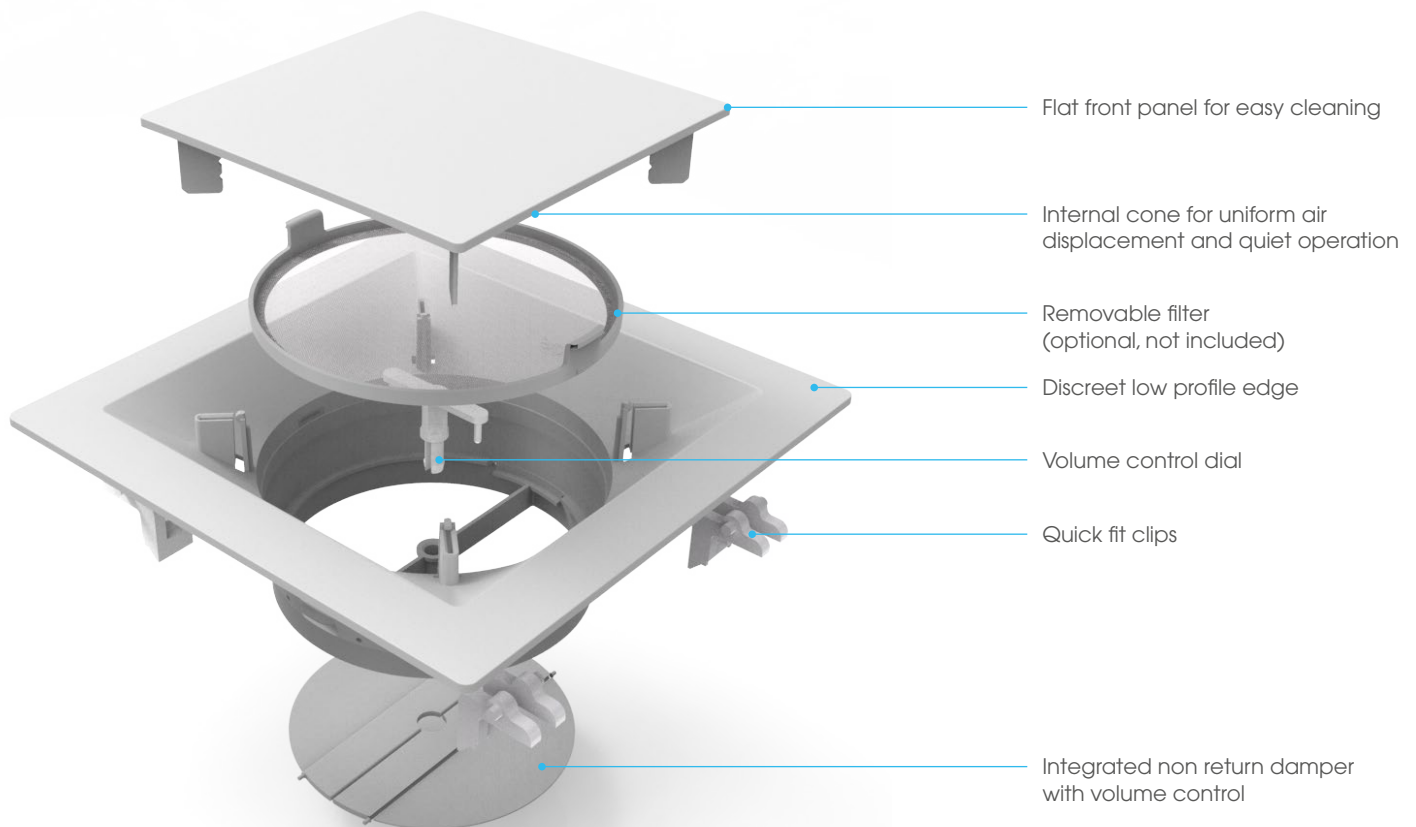
Low profile ceiling diffuser

Dimensions:

Model	A	B (hole size)	C	D	E
1PSD150	250	225 x 225	4	85	150



Features:



Aust. Reg. Design - 201711265
 Patent Pending - 2017900720