

Mini Roof Fan

expella™

Compact low profile roof fan

2MF1015 | 2MF1251 | 2MF1514 | 2MF1612

2MF2012 | 2MF2510 | 2MF3159

The Mini Roof Fan's (MRF) compact and low profile design makes this roof fan unobtrusive, and is suitable for ventilating a range of residential, commercial and light industrial applications. It is easy to install and can be mounted to standard PVC plumbing pipe and fittings. Available in 7 sizes, the MRF range is an ideal solution for multipoint ventilation systems.



Manufacturer:



Warranty:

2 years

Applications and Installation:

- To be used in conjunction with internal grilles, ducting and a dekite (not included).
- Suitable for applications including:
 - Bathrooms and laundries
 - Kitchens and rangehoods
 - Garbage exhaust
 - Suitable for exhaust risers in commercial buildings
- Works with long ducting lengths (in excess of 20m)
- Can be mounted directly to standard PVC plumbing pipe and fittings.
- It is recommended that this product be installed by an industry professional (electrician or air-conditioning installer)

Options:

MRF with square roof curb (not included with fan)

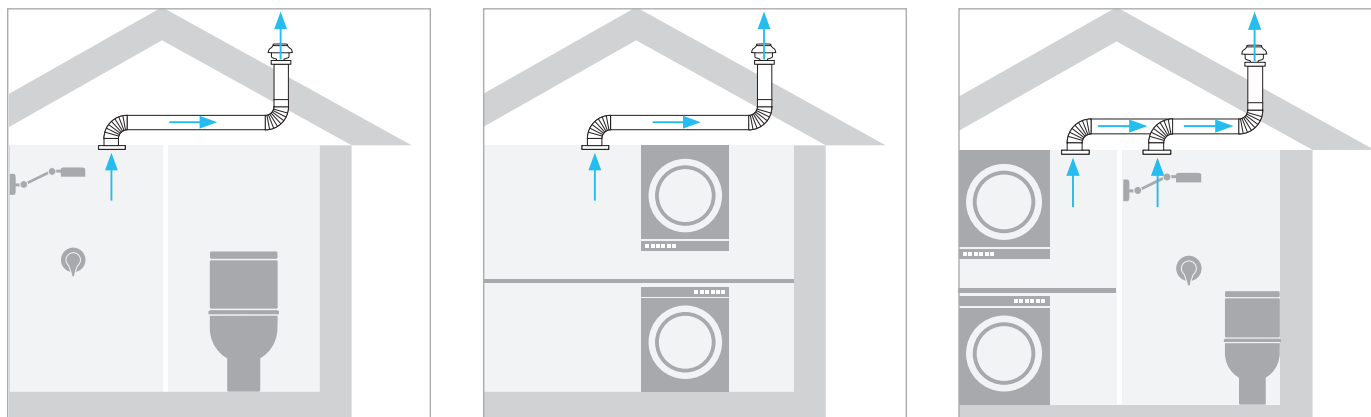
Benefits:

- Available in 7 sizes with performances up to 1450m³/hr.
- Suitable for clean air temperature from -20°C up to +70°C.
- The cowl is made from highly resistant aluminium and its stainless steel screws are resistant to atmospheric agents.
- The cowl is removable for access to the motor and wiring connections.
- Self-cleaning backward bladed impeller with high efficiency and low noise level.
- Lower casing and protection guard in galvanized steel.
- Speed controllable for highly efficient and economical airflow.
- IPX5
- ErP compliant (European Eco-Design)
- Fans comply with EN 60335-2-80
- European made

Mini Roof Fan

Compact low profile roof fan

Applications:



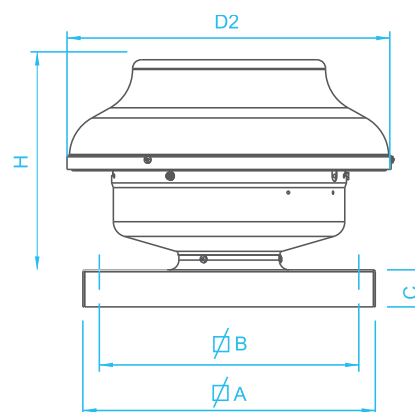
Specifications:

Model	Item Code	Volume m ³ /h	Volume L/s	Pressure (maximum)	Wattage	Noise dB(A) *	Temperature °C (maximum)	Protection
MRF 100	2MF1015	318	88	415	50	52	70	IPX5
MRF 125	2MF1251	342	95	395	50	52	70	IPX5
MRF 150	2MF1514	579	161	459	85	52	70	IPX5
MRF 160	2MF1612	736	204	515	108	54	70	IPX5
MRF 200	2MF2012	794	220	503	110	55	70	IPX5
MRF 250	2MF2510	866	240	603	148	51	70	IPX5
MRF 315	2MF3159	1222	339	838	247	55	70	IPX5

* Measured at 3 metres

Dimensions:

Model	D2	H	∅ A	∅ B	C
MRF 100	333	225	300	265	36
MRF 125	333	225	300	265	36
MRF 150	405	266	400	360	36
MRF 160	405	266	400	360	36
MRF 200	405	266	400	360	36
MRF 250	405	266	400	360	36
MRF 315	484	322	400	360	36



Mini Roof Fan

Compact low profile roof fan

Performance:

