

Linear Slot Grille

expella™

Internal ceiling diffuser

1LSG600B

Expella's Linear Slot Grille is an internal diffuser designed for use with ducted inline ventilation systems. It has a streamlined, minimal appearance and sits discreetly on the ceiling, ensuring that the aesthetic qualities of a space are not compromised.



Manufacturer:

expella™

Warranty:

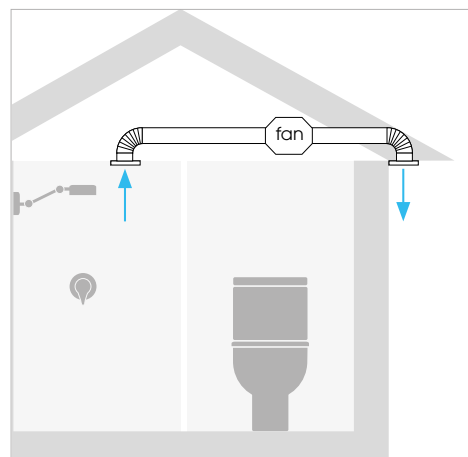
5 years

Features and Benefits:

- Provides a minimal and unobtrusive air channelling solution.
- Slimline face-plate for a discreet look.
- Powder coated plenum box with 150mm diameter spigot for duct connection.
- Removable face plate for easy cleaning and maintenance.

Applications and Installation:

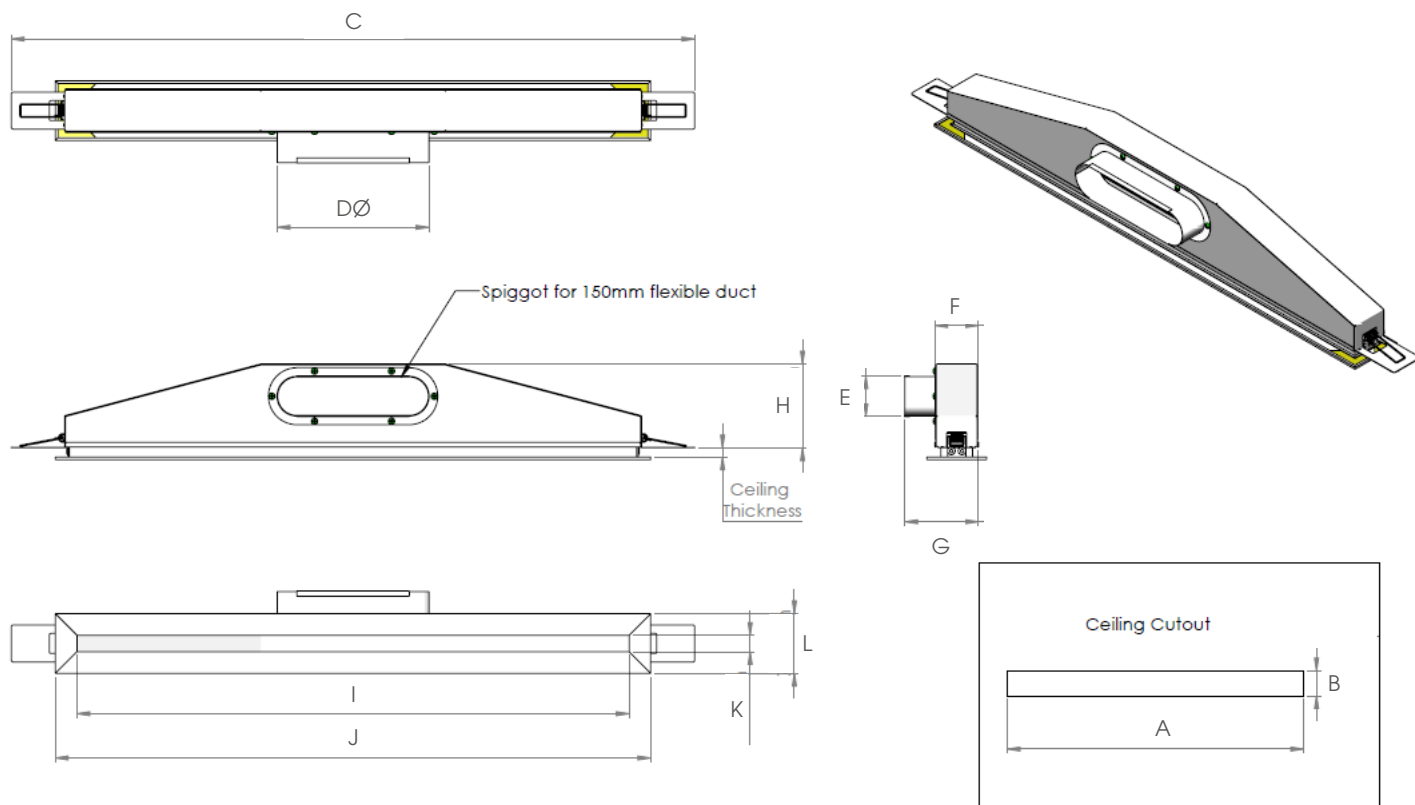
- Designed for use with ducted inline ventilation and air-conditioning systems
- Suitable for supply air and exhaust applications
- Quick-fit snap in clips ensure fast and simple installation



Linear Slot Grille

Internal ceiling diffuser

Dimensions/set out:



Model	Cut out		Plenum Box						Facia			
	A	B	C	D	E	F	G	H	I	J	K	L
1LSG600	580	65	695	197	53	67	106	118	537	598	22	78
1LSG780	770	65	888	197	53	57	96	110	718	775	22	78