

# Shadowline Wall Diffuser

expella™

## Concealed ceiling grille

TSLD1000W

The Shadowline Diffuser is an internal ceiling grille that is designed to be discreet – almost invisible. The concealed grille sits at the wall/ceiling junction with a narrow slot set into the ceiling, allowing air to be supplied or extracted from an interior space. This grille can be used with inline ventilation systems or ducted air conditioning systems (select the insulated option for AC systems).



### Manufacturer:

expella™

### Warranty:

5 years

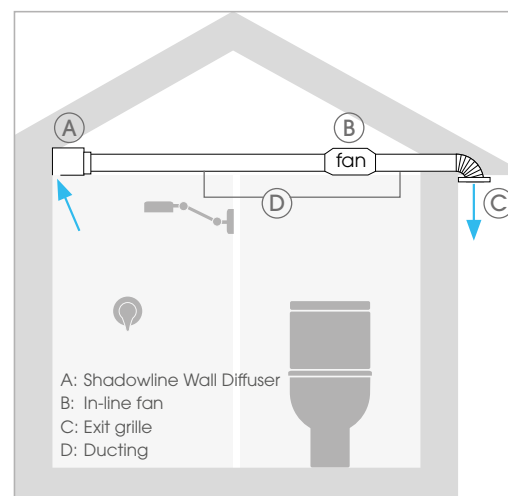
### Features and Benefits:

- Aluminium profile designed for optimal airflow and efficiency
- Creates unique detail between wall and ceiling whilst providing an invisible exhaust system.
- Cut to length to suit any wall size.
- Shadowline Diffuser creates a rigid structure that secures the ceiling sheet
- Multiple fixing options using clip-in fasteners, compatible with Rondo suspended ceilings
- Can be fitted with a typical LED strip light\*
- Designed and made in Australia (Australian Design No 202112803)

\* LED not supplied

### Applications and Installation:

- To be used with an air handling system: exhaust, return and supply systems (fan and ducting not included).
- Suitable for interior applications
- Can be installed by a home handyman or industry professional (electrician or air-conditioning installer)



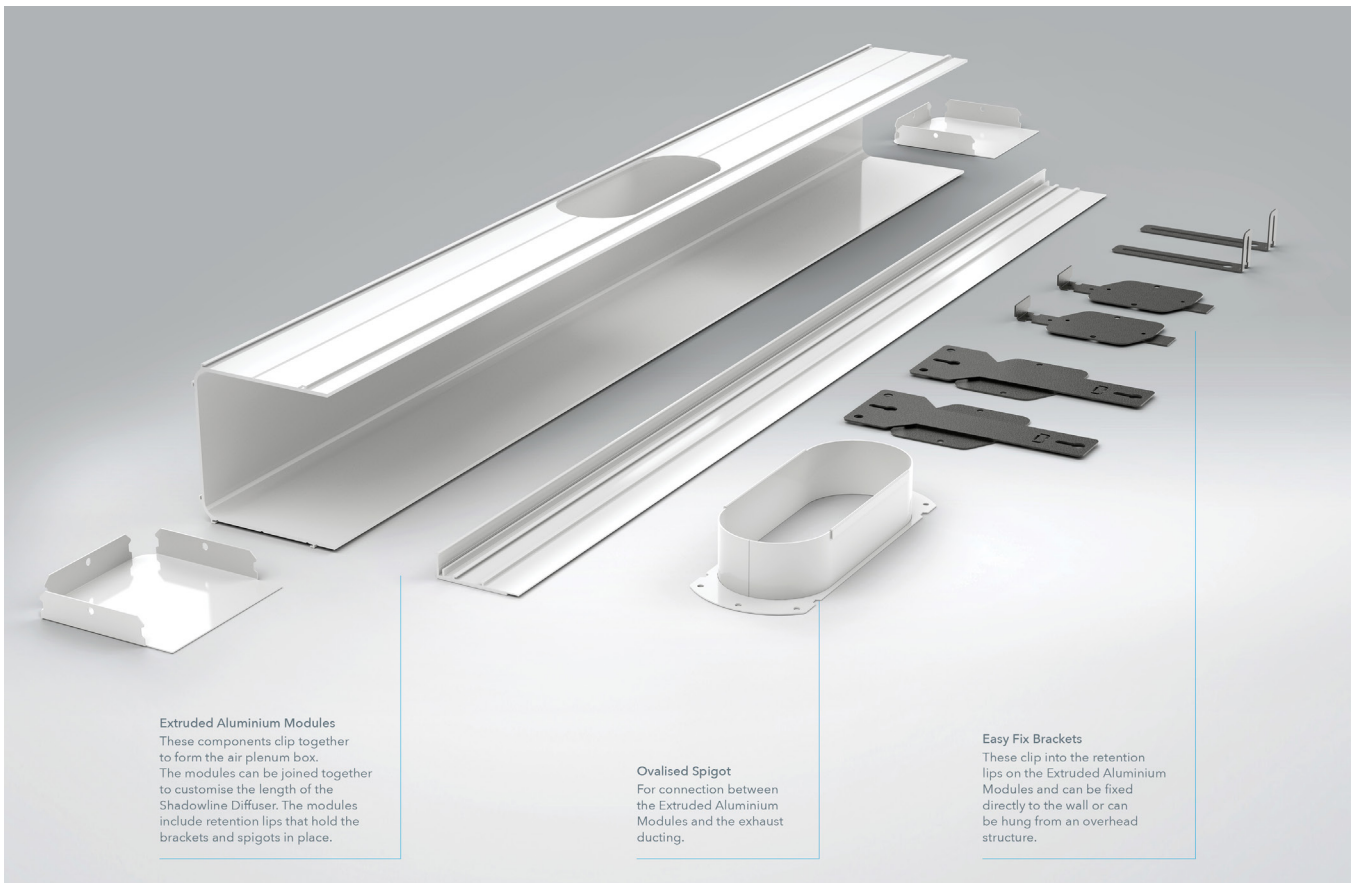
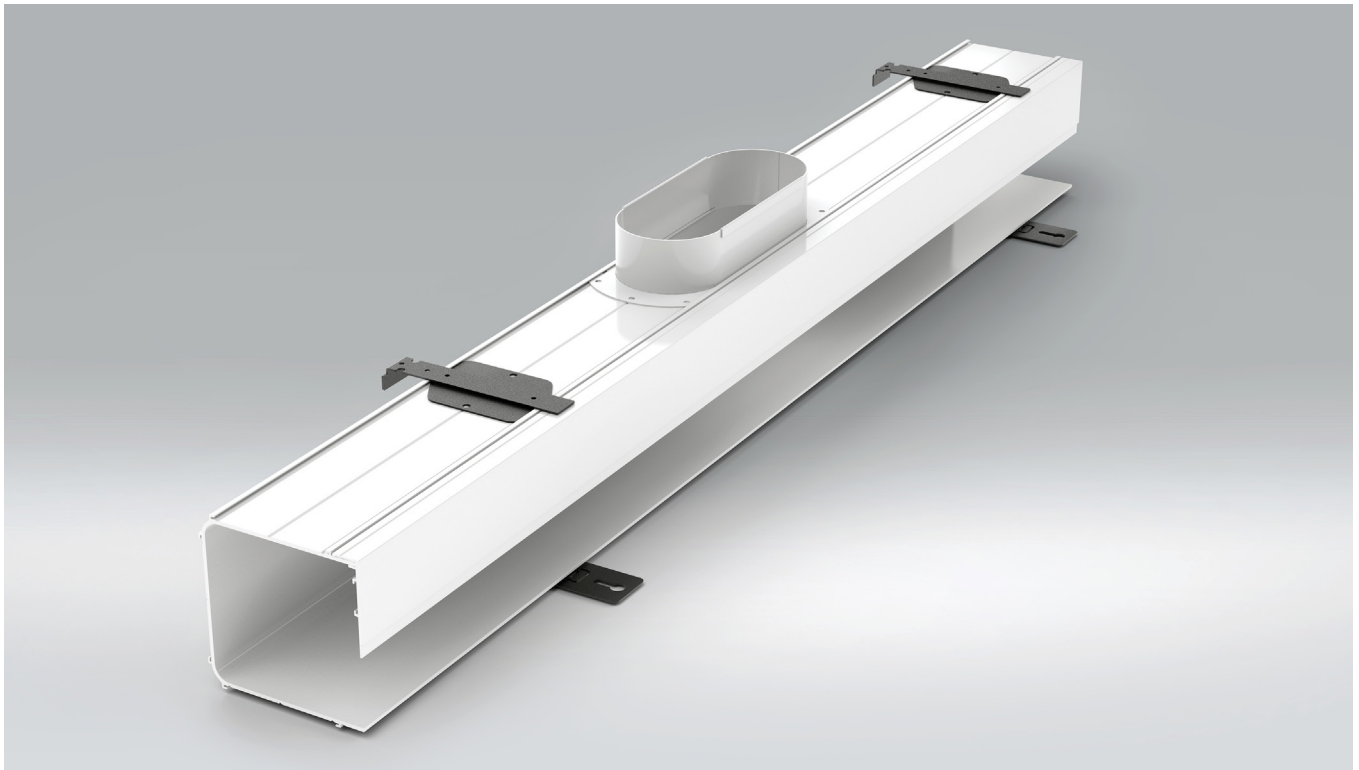
### Options:

- Extension kit (1 meter lengths)
- Insulated option for ducted air conditioning systems

# Shadowline Wall Diffuser

## Concealed ceiling grille

### Product Detail:



**Extruded Aluminium Modules**  
These components clip together to form the air plenum box. The modules can be joined together to customise the length of the Shadowline Diffuser. The modules include retention lips that hold the brackets and spigots in place.

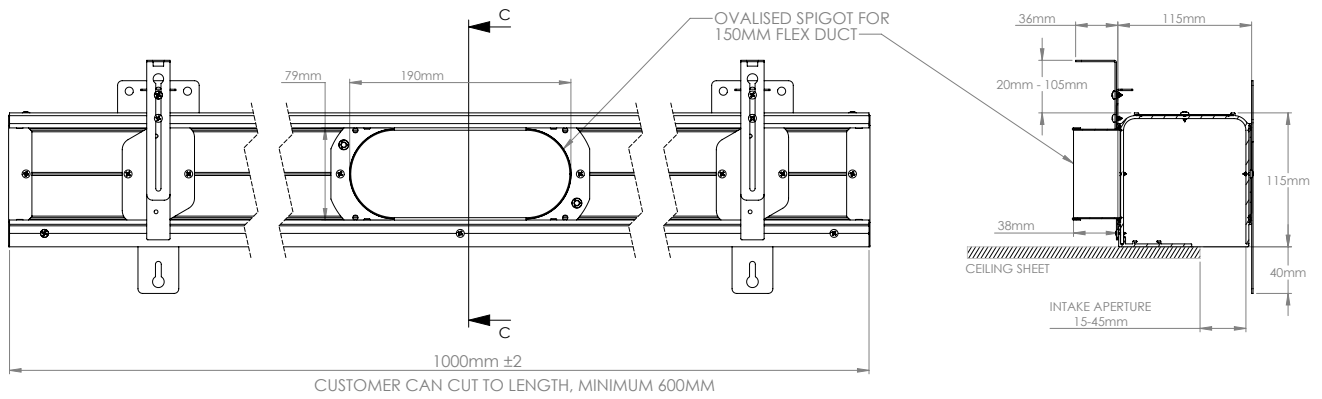
**Ovalised Spigot**  
For connection between the Extruded Aluminium Modules and the exhaust ducting.

**Easy Fix Brackets**  
These clip into the retention lips on the Extruded Aluminium Modules and can be fixed directly to the wall or can be hung from an overhead structure.

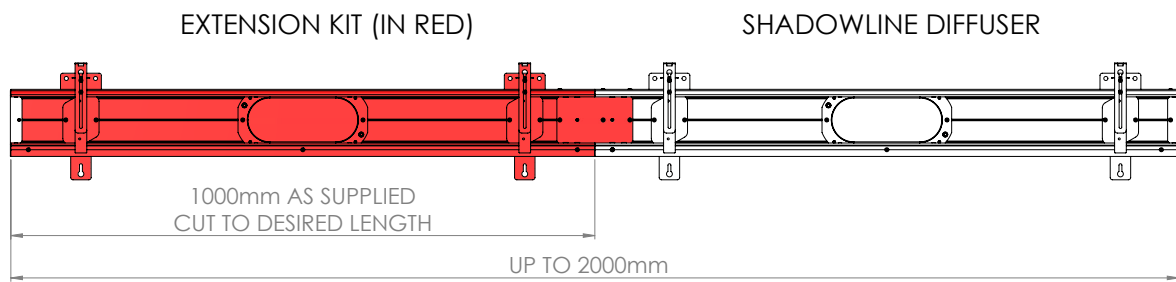
# Shadowline Wall Diffuser

## Concealed ceiling grille

### Dimensions:



### Optional Extension Kit:



### Performance – Shadowline Wall Pressure Drop:

