

# FORM

## Back-to-wall odourless toilet suite

**Milu**  
odourless  
by expella™

Form, from the Milu Odourless range is a back-to-wall toilet that has a strong and minimal design with clean rectangular lines.

The toilet features a patented in-built ventilation system that quietly extracts odours from the toilet bowl and discharges them directly into the sewer before they can be released into the bathroom.

Milu Odourless toilets incorporate rimless flush technology making them easy to clean. The range is manufactured in high quality vitreous china and comes with Geberit inlet and outlet valves.



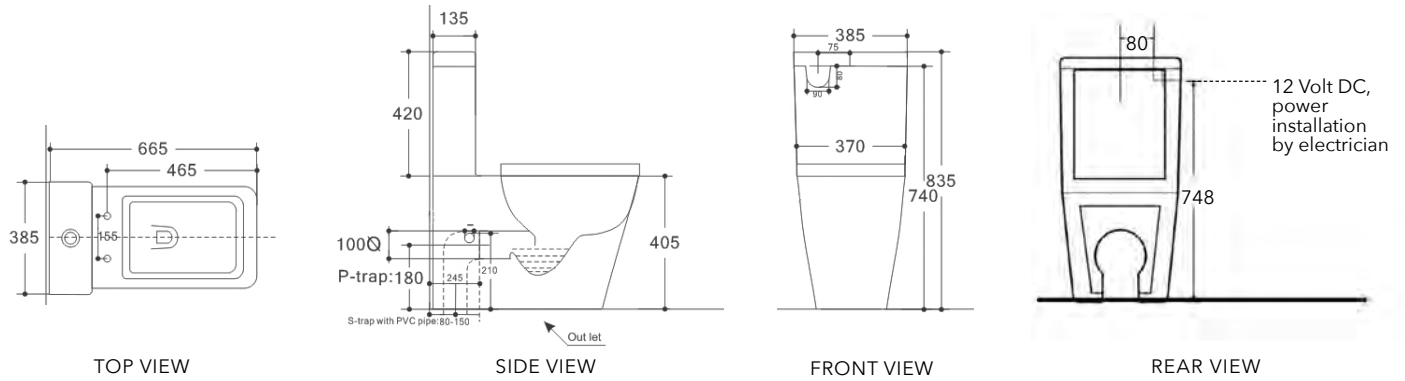
### PRODUCT SPECIFICATIONS

<b>Recommended use</b>	Domestic, hotel, commercial
<b>Water rating</b>	WELS 4 Star at 4.5L flush and 3L flush. LIC. 1848
<b>Compliance</b>	Complies with Australian Standards - AS1172.1, AS1172.2, ATSS200.425.425:2009
<b>Fixing</b>	Toilet pan screwed and silicone to floor
<b>Rim configuration</b>	Rimless
<b>Trap configuration</b>	Universal
<b>Material</b>	Vitreous china
<b>Seat</b>	Thin soft close, quick release
<b>Water inlet</b>	Back inlet (left) or bottom inlet
<b>Power supply</b>	12 volt, 1.5amp (transformer provided). Rechargeable battery pack optional
<b>Fan</b>	Expella Odour Control Device

# FORM

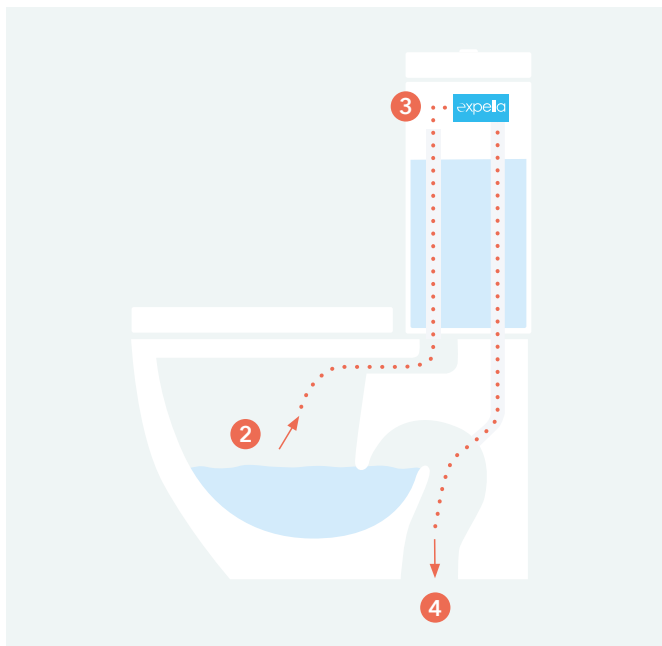
Back-to-wall odourless toilet suite

## DIMENSIONS AND SET-OUT (all measurement specified in millimetres)



Note: Toilet pan dimensions may vary slightly due to tolerances in the manufacturing process. Please check exact dimensions on actual pan.

## HOW IT WORKS



- 1 Expella's patented Odour Control Device (OCD) is hidden inside the cistern, it is activated by either a:
  - Light switch\*
  - Manual switch\*
  - Automatic sensor switch\*
  - Battery pack with automatic sensor.\*
- 2 The OCD contains an in-built extraction fan that draws odours from the bowl through the flush pipe.
- 3 Odours pass through the OCD, opening a non return valve that prevents odours returning.
- 4 Odours are discharged to the sewer.

\* Switching not included

## WARRANTY

Vitreous china	10 years
OCD	3 years
Valves	3 years
Seat	1 year

**WaterMark**  
WMKA 23157

Patent: AU2007204583, AU2018000006

**Milu**  
odourless  
by expella™

[www.miluodourless.com.au](http://www.miluodourless.com.au)